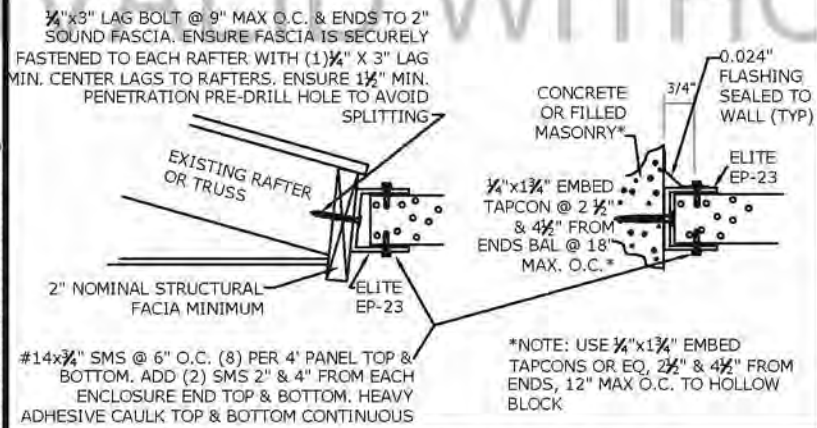


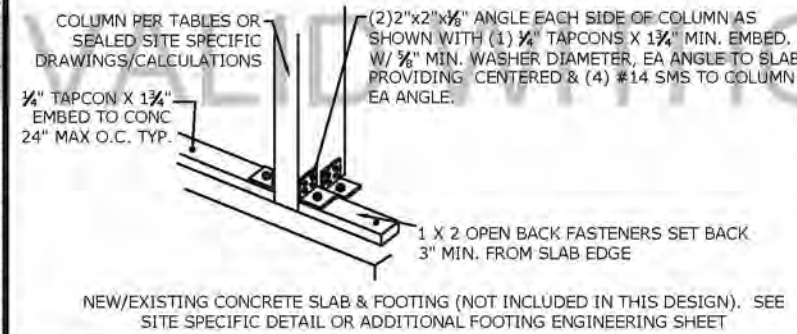
ELITE ROOF - SCREEN WALL MASTER PLAN SHEET

DETAILS NOT SHOWN TO SCALE FOR CLARITY.

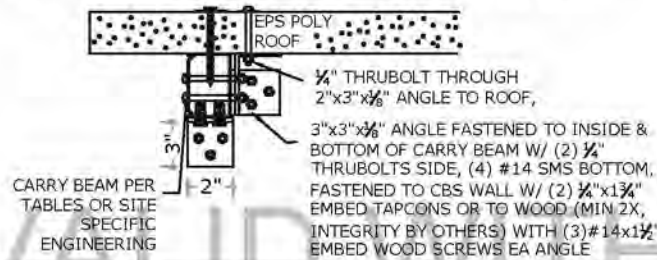
A CONNECTION TO STRUCTURE: WOOD OR CONCRETE



B ENCLOSURE TO CONCRETE DECK ANCHORING DETAIL

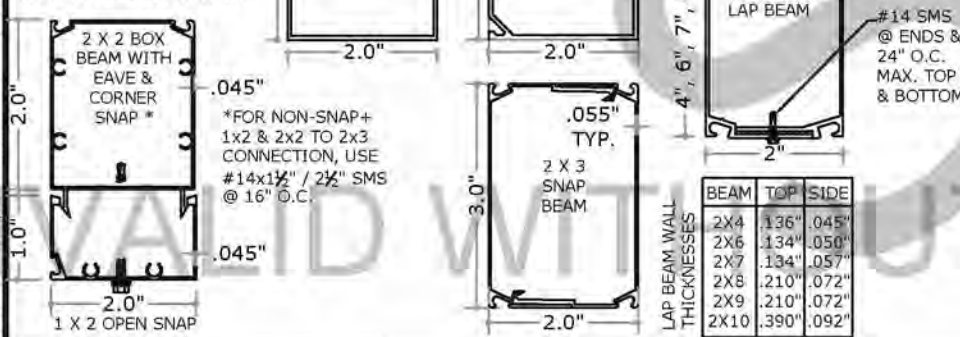


C EAVE BEAM CONNECTION @ WALL (USE AS REQUIRED WHEN CONNECTING TO WALL)



EXTRUSIONS:

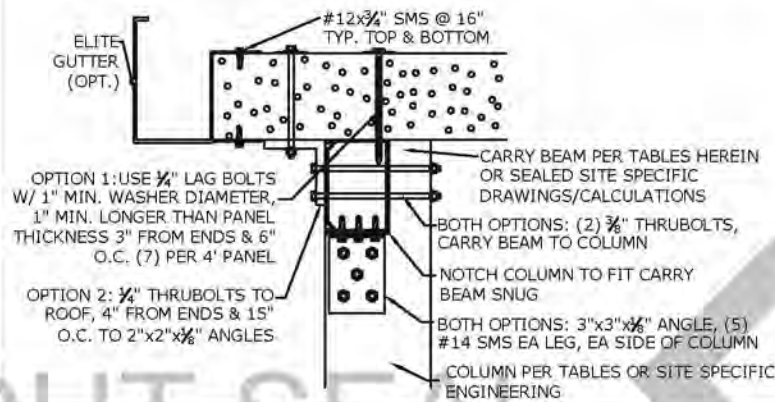
VERIFY FIELD EXTRUSION DIMENSIONS WITH DESIGN DIMENSIONS PRIOR TO USE. ALTERNATE ENGINEERING WILL BE REQUIRED FOR DIMENSIONS LESS THAN THOSE AS SPECIFIED HEREIN. ALL EXTRUSIONS TO BE 6063-T6 ALUMINUM.



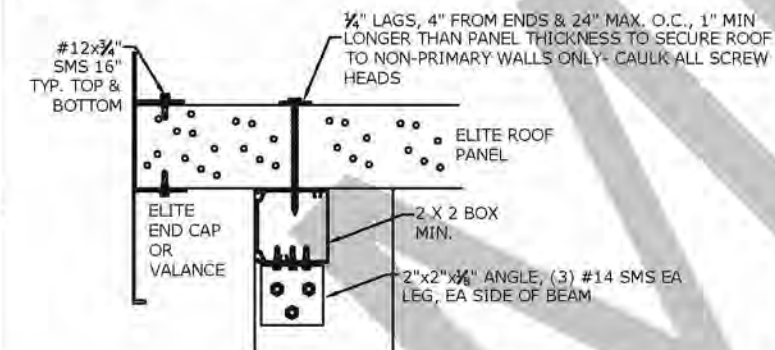
D ROOF PANEL CONNECTION FRONT ELEVATION



E SECTION AT BEARING COLUMN



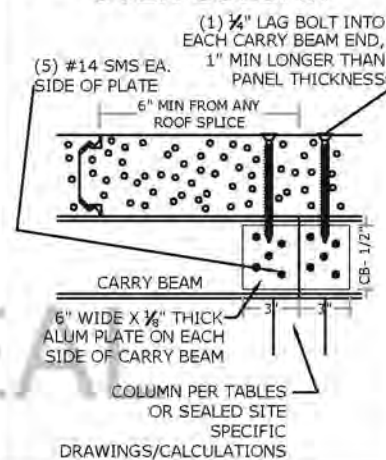
F SECTION AT SIDE OF ROOF PANEL



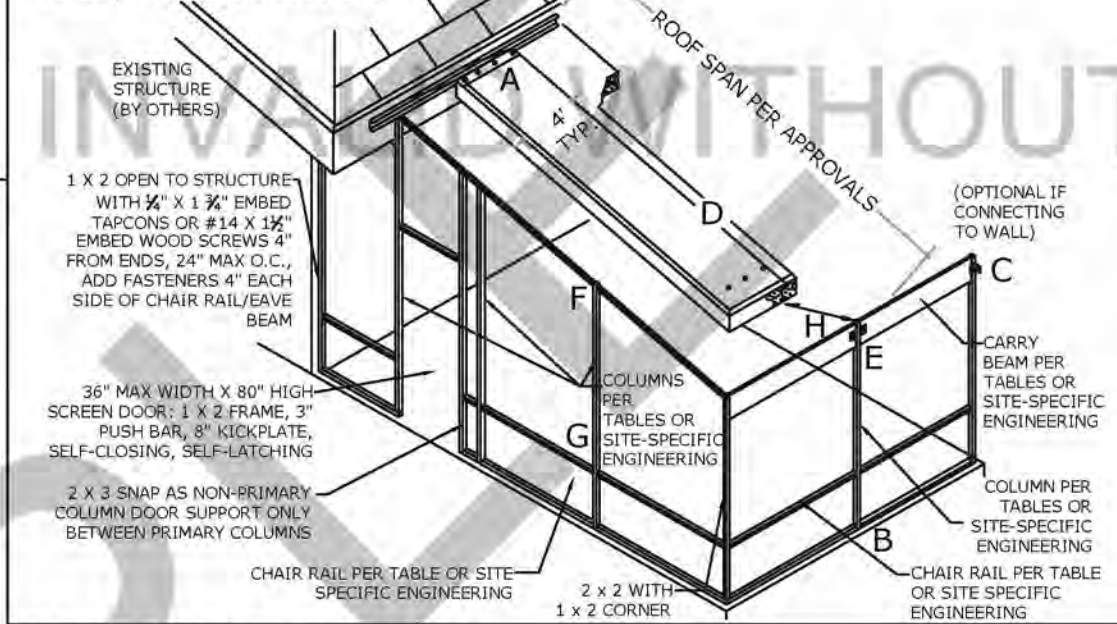
G TYP. BEAM TO CHAIR RAIL



H BEAM SPLICE OVER COLUMN

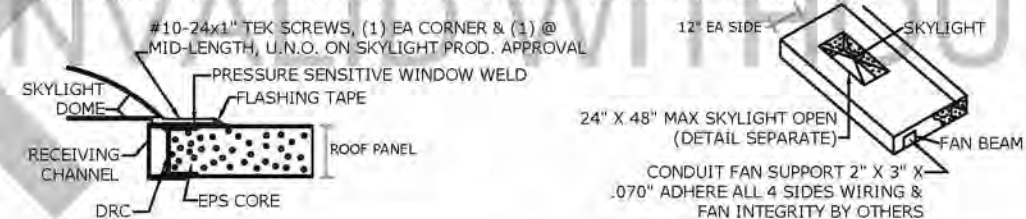


ROOF/SCREEN LAYOUT



ROOF PANEL ACCESSORIES:

NOTE: CERTIFICATION OF SKYLIGHT BY SEPERATE CERTIFICATION. DETAIL ILLUSTRATES TYPICAL CONNECTION METHODS ONLY. REFER TO SKYLIGHT DETAILS FOR FURTHER INFORMATION WHICH GOVERNS.



GENERAL NOTES:

HARDCOPIES OF THIS DOCUMENT ARE ONLY VALID WITH ORIGINAL SIGNATURE AND SEAL OF A P.E. OF THIS FIRM AND, IF PRINTED, WITH A RED 'ELITE' STAMP ACROSS THE DOCUMENT FACE. ALTERATIONS, ADDITIONS, OR OTHER MARKINGS TO THIS DOCUMENT ARE NOT PERMITTED AND INVALIDATE OUR CERTIFICATION. DIGITALLY SEALED VERSIONS SHALL BE VERIFIED BY ELECTRONIC MEANS.

DESIGN:

- POSITIVE AND NEGATIVE DESIGN PRESSURES CALCULATED FOR USE WITH THIS SYSTEM SHALL BE DETERMINED BY OTHERS ON A JOB-SPECIFIC BASIS IN ACCORDANCE WITH THE STRUCTURAL REQUIREMENTS OF THE FLORIDA BUILDING CODE SIXTH EDITION (2017), 2012/2015/2018 IBC/IRC, AS WELL AS CURRENT VERSIONS OF THE MN, NC, NJ, NY, OH, SC, & VA BUILDING CODES AS APPLICABLE. CODE ENFORCED COMPLIES WITH STATE OF SEAL AND IF MULTIPLE VERSIONS LISTED THEN MOST STRINGENT APPLIES.
- DESIGN SHALL UTILIZE ASD DESIGN METHOD USING ASCE 7-16 OR ASCE 7-10 BASED ON APPLICABLE CODE.
- CONTRACTOR SHALL INVESTIGATE AND CONFORM TO ALL LOCAL BUILDING CODE AMENDMENTS WHICH MAY APPLY. DESIGN CRITERIA OR SPANS BEYOND STATED HEREIN MAY REQUIRE ADDITIONAL SITE SPECIFIC SEALED ENGINEERING.
- SEISMIC DESIGN SHALL BE CONSIDERED WHEN REVIEWING FOR EACH USE USING LOAD TABLE LIMITATIONS PROVIDED.
- WALLS SHALL REMAIN SCREENED OR OPEN. REMOVABLE ACRYLIC PANELS MAY BE ADDED PROVIDED THE ARE REMOVED WHEN SUSTAINED WINDS APPROACH 75MPH.
- THE EXISTING HOST STRUCTURE MUST BE CAPABLE OF SUPPORTING THE LOADED ENCLOSURE AS DETERMINED BY OTHERS OR BY SPECIAL ENGINEERING. NO WARRANTY IS CONTAINED HEREIN.

MATERIAL:

- COMPOSITE ROOF AND WALL MEMBERS SHALL BE CONSTRUCTED USING MINIMUM TYPE 3005-H25 ALUMINUM FACINGS, (1) OR (2) PCF ASTM C-578 CARPENTER BRAND EPS. ADHERE TO ALUMINUM FACINGS WITH ASHLAND CHEMICAL 2020D ISO GRIP. FABRICATION TO BE BY ELITE PANEL PRODUCTS ONLY IN ACCORDANCE WITH APPROVED FABRICATION METHODS.
- ALL EXTRUSIONS SHALL BE ALUMINUM ALLOY TYPE 6063-T6 OR BETTER.
- ALL FASTENERS TO BE 316 NON-MAGNETIC STAINLESS STEEL, SAE GRADE 5 STEEL MIN, OR CADMIUM PLATED OR OTHER CORROSION RESISTANT MATERIAL AND SHALL COMPLY WITH THE 2015 ALUMINUM DESIGN MANUAL, THE ALUMINUM ASSOCIATION, INC., & APPLICABLE FEDERAL, STATE, AND LOCAL CODES.
- ALUMINUM MEMBERS IN CONTACT WITH CONCRETE & WOOD SHALL BE PROTECTED BY 'KOPPERS BITUMINOUS PAINT' OR MFR. EQUAL IN ACCORDANCE WITH APPLICABLE CODE REQUIREMENTS.
- ELECTRICAL GROUND AND ALL RELATED WIRING AND CONSIDERATIONS TO BE DESIGNED BY OTHERS AS REQUIRED.
- EXISTING WOOD HOST STRUCTURE SHALL BE #2 SYP MIN. EXISTING CONCRETE HOST STRUCTURE SHALL BE 3000 PSI MIN. STRUCTURAL ADHESIVE SHALL HAVE 1500 PSI MIN BOND STRENGTH.
- SCREEN MATERIAL TO BE 20 X 20 X 0.013" MESH SCREEN OR MORE OPEN. FOR 18 X 14 X 0.013" SCREEN, SPECIAL ENGINEERING IS REQUIRED.

FASTENERS

- FASTENERS SHALL HAVE A HEAD AND/OR BE PROVIDED WITH 1/2" DIAMETER WASHER MINIMUM UNLESS NOTED OTHERWISE. FOR ALUMINUM MEMBERS ALL ANCHORS SHALL BE SPACED WITH 2xDIAMETER END DISTANCE AND 2.5xDIAMETER MIN. SPACING TO ADJACENT ANCHORS, UNLESS NOTED OTHERWISE.
- ANY FASTENER STRIPPED OR NOT ADEQUATELY HOLDING SHALL BE REPLACED.
- THE CONTRACTOR IS RESPONSIBLE TO INSULATE ALUMINUM MEMBERS FROM DISSIMILAR METALS TO PREVENT ELECTROLYSIS.
- ALL TAPCONS MUST BE ITW CARBON STEEL TAPCONS OR EQUIVALENT W/ 1 1/2" EMBED, 3" MIN. EDGE DISTANCE, FASTENED TO MINIMUM 3192PSI MIN., UN-CRACKED CONCRETE.

GENERAL:

- THE SYSTEM DETAILED HEREIN IS GENERIC AND DOES NOT PROVIDE INFORMATION FOR A SPECIFIC SITE. FOR SITE CONDITIONS DIFFERENT FROM THE CONDITIONS DETAILED HEREIN, A LICENSED ENGINEER OR REGISTERED ARCHITECT SHALL PREPARE SITE SPECIFIC DOCUMENTS FOR USE IN CONJUNCTION WITH THIS DOCUMENT.
- ENGINEER SEAL AFFIXED HERETO VALIDATES STRUCTURAL DESIGN AS SHOWN ONLY. USE OF THIS SPECIFICATION BY CONTRACTOR, ET AL. INDEMNIFIES AND SAVES HARMLESS THIS ENGINEER FOR ALL COSTS AND DAMAGES INCLUDING LEGAL FEES AND APPELLATE FEES RESULTING FROM MATERIAL FABRICATION, SYSTEM ERECTION, AND CONSTRUCTION PRACTICES BEYOND THAT WHICH IS CALLED FOR BY LOCAL, STATE, AND FEDERAL CODES AND FROM DEVIATIONS OF THIS PLAN.
- EXCEPT AS EXPRESSLY PROVIDED IN THIS SPECIFICATION, NO ADDITIONAL CERTIFICATIONS OR AFFIRMATIONS ARE INTENDED. PROFESSIONAL.

VISIT ECALC.IO/2024918

FOR ENGINEER-CERTIFIED ORIGINALS, HELPFUL RESOURCES, SITE SPECIFIC JOB ORDERING & MORE

THIS DOCUMENT NOT VALID WITHOUT ORIGINAL ENGINEER CERTIFICATION



04/09/2020

VALID FOR 1 PERMIT ONLY UNLESS NOTICED. IF THIS SHEET DOES NOT CONTAIN AN ORIGINAL SIGNATURE & ENGINEER SEAL:

IF THERE IS A DIGITAL SIGNATURE ON SHEET 1, THIS SHEET IS PART OF A DIGITALLY SIGNED FILE, SHALL REMAIN IN DIGITAL FORMAT, & PRINTED COPIES OF THIS DOCUMENT ARE NOT CONSIDERED SIGNED AND SEALED. IF THERE IS NO DIGITAL SIGNATURE ON SHEET 1 OR THIS SHEET DOES NOT CONTAIN AN ENGINEER'S ORIGINAL SIGNATURE & SEAL, THIS SHEET IS A COPY/DRAFT.

ENGINEERING EXPRESS
CORPORATE OFFICE:
160 SW 12th AVE, SUITE 106
DEERFIELD BEACH, FL 33442
(954) 354-0660 | (866) 396-9999
TEAM@ENGINEERINGEXPRESS.COM
ENGINEERINGEXPRESS.COM

ELITE ALUMINUM INC
1545 WEST 35 PLACE
HIALEAH, FL
(305) 823-2625
ELITE ROOF - SCREEN WALL
MASTER PLAN SHEET

DRWN	CHKD	DATE
JAC	FLB	01/09/20
ZAR	FLB	03/22/19

REMARKS
INIT ISSUE
2019 UPDATE

THIS DOCUMENT IS THE PROPERTY OF ENGINEERING EXPRESS AND SHALL NOT BE REPRODUCED IN WHOLE OR PART WITHOUT WRITTEN CONSENT OF ENGINEERING EXPRESS. ALTERATIONS, ADDITIONS, OR OTHER MARKINGS TO THIS DOCUMENT ARE NOT PERMITTED AND INVALIDATE OUR CERTIFICATION.

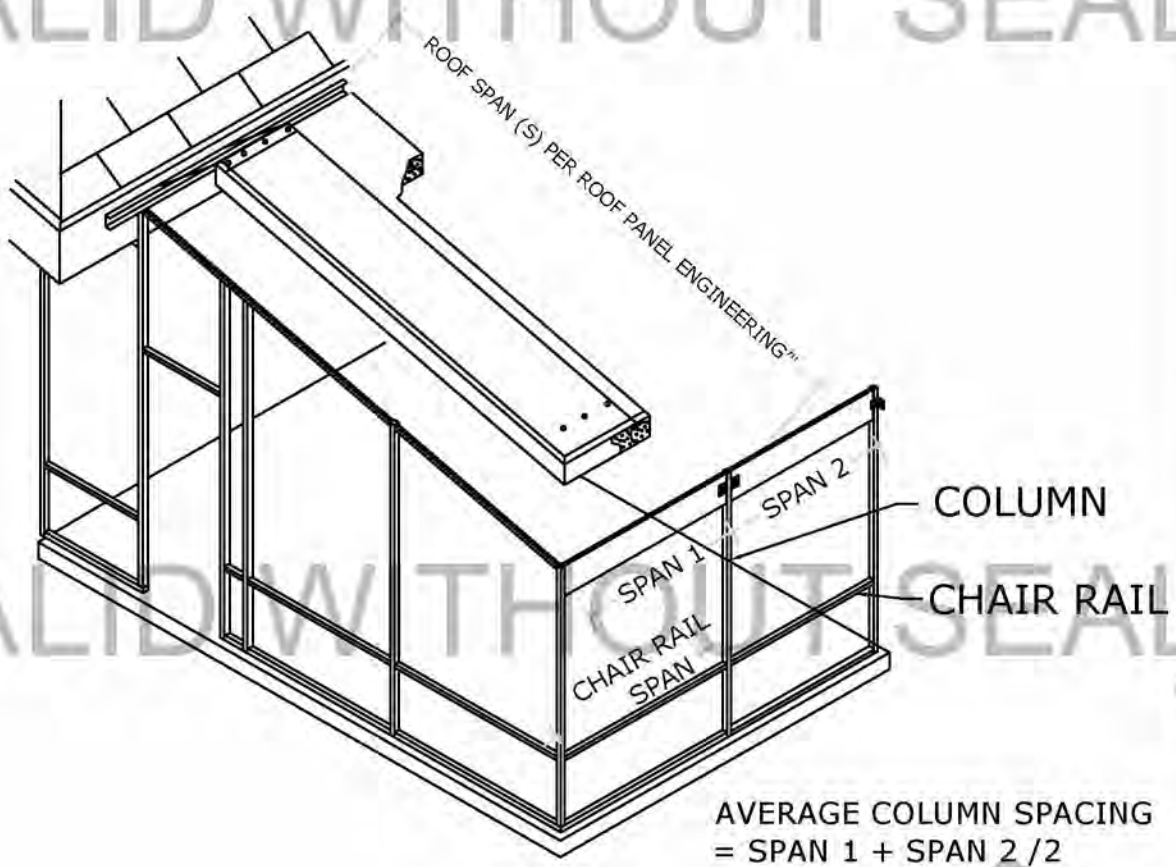
COPYRIGHT ENGINEERING EXPRESS®

20-24918

SCALE: NTS UNLESS NOTED

1 of 4

COLUMN ALLOWABLE HEIGHT TABLES



COLUMN TABLE NOTES

- 1) USE APPROPRIATE TABLE VALUES REQUIRED BY GOVERNING STATE & LOCAL BUILDING CODES.
- 2) VERIFY REQUIREMENTS WITH BUILDING DEPARTMENT.
- 3) DEFLECTION LIMIT = L/80 USED.
- 4) THE MINIMUM DEFLECTION, STRESS OR STRESS + AXIAL LIMITATIONS USED IN TABLES.
- 5) COLUMN SPACING = HALF THE DISTANCE TO THE LEFT + HALF THE DISTANCE TO THE RIGHT OF THE BEAM (AVERAGE COLUMN SPACING)
- 6) COLUMNS TO BE LATERALLY SUPPORTED EVERY 8' MAX.

Column Type	Max Roof Span S (ft)	Live Load Gravity (psf)	Wind Load (psf)	AVG Column Spacing W(ft)			
				5	6	7	8
2" x 3" SNAP	10	10	10	8'-0"	7'-4"	7'-2"	7'-0"
			20	5'-8"	5'-2"	5'-1"	5'-0"
			30	4'-7"	4'-3"	4'-2"	4'-0"
			40	0'-0"	0'-0"	0'-0"	0'-0"
		20	10	6'-7"	5'-9"	5'-3"	4'-9"
			20	4'-8"	4'-1"	0'-0"	0'-0"
			30	0'-0"	0'-0"	0'-0"	0'-0"
			40	0'-0"	0'-0"	0'-0"	0'-0"
		30	10	5'-2"	4'-2"	0'-0"	0'-0"
			20	0'-0"	0'-0"	0'-0"	0'-0"
			30	0'-0"	0'-0"	0'-0"	0'-0"
			40	0'-0"	0'-0"	0'-0"	0'-0"
	40	10	0'-0"	0'-0"	0'-0"	0'-0"	
		20	0'-0"	0'-0"	0'-0"	0'-0"	
		30	0'-0"	0'-0"	0'-0"	0'-0"	
		40	0'-0"	0'-0"	0'-0"	0'-0"	
	20	10	10	6'-10"	6'-0"	5'-7"	5'-2"
			20	4'-10"	4'-3"	0'-0"	0'-0"
			30	0'-0"	0'-0"	0'-0"	0'-0"
			40	0'-0"	0'-0"	0'-0"	0'-0"
		20	10	4'-3"	0'-0"	0'-0"	0'-0"
			20	0'-0"	0'-0"	0'-0"	0'-0"
			30	0'-0"	0'-0"	0'-0"	0'-0"
			40	0'-0"	0'-0"	0'-0"	0'-0"
30		10	0'-0"	0'-0"	0'-0"	0'-0"	
		20	0'-0"	0'-0"	0'-0"	0'-0"	
		30	0'-0"	0'-0"	0'-0"	0'-0"	
		40	0'-0"	0'-0"	0'-0"	0'-0"	
40	10	0'-0"	0'-0"	0'-0"	0'-0"		
	20	0'-0"	0'-0"	0'-0"	0'-0"		
	30	0'-0"	0'-0"	0'-0"	0'-0"		
	40	0'-0"	0'-0"	0'-0"	0'-0"		

Column Type	Max Roof Span S (ft)	Live Load Gravity (psf)	Wind Load (psf)	AVG Column Spacing W(ft)			
				5	6	7	8
2" x 5" x 3" BOX COLUMN	10	20	10	9'-0"	9'-0"	9'-0"	9'-0"
			20	9'-0"	9'-0"	9'-0"	9'-0"
			30	9'-0"	8'-5"	7'-8"	7'-7"
			40	7'-10"	7'-4"	6'-8"	6'-7"
		30	10	9'-0"	9'-0"	9'-0"	9'-0"
			20	9'-0"	9'-0"	8'-6"	8'-3"
			30	8'-5"	7'-9"	7'-0"	6'-9"
			40	7'-4"	6'-9"	6'-0"	5'-10"
		40	10	9'-0"	9'-0"	9'-0"	9'-0"
			20	9'-0"	9'-0"	7'-7"	7'-2"
			30	7'-10"	7'-1"	6'-2"	5'-10"
			40	6'-10"	6'-2"	5'-4"	5'-1"
	50	10	9'-0"	9'-0"	9'-0"	8'-8"	
		20	9'-0"	7'-10"	6'-8"	6'-2"	
		30	7'-3"	6'-5"	5'-6"	5'-0"	
		40	6'-4"	5'-7"	4'-9"	4'-4"	
	20	20	10	9'-0"	9'-0"	9'-0"	9'-0"
			20	9'-0"	9'-0"	7'-11"	7'-6"
			30	8'-1"	7'-4"	6'-5"	6'-2"
			40	7'-0"	6'-4"	5'-7"	5'-4"
		30	10	9'-0"	9'-0"	9'-0"	8'-0"
			20	8'-7"	7'-5"	6'-3"	5'-8"
			30	7'-0"	6'-1"	5'-1"	4'-7"
			40	6'-1"	5'-3"	4'-5"	0'-0"
40		10	9'-0"	8'-5"	6'-6"	5'-3"	
		20	7'-3"	6'-0"	4'-7"	0'-0"	
		30	6'-0"	4'-10"	0'-0"	0'-0"	
		40	5'-1"	4'-2"	0'-0"	0'-0"	
50	10	8'-5"	6'-3"	4'-2"	0'-0"		
	20	6'-0"	4'-5"	0'-0"	0'-0"		
	30	4'-10"	0'-0"	0'-0"	0'-0"		
	40	4'-2"	0'-0"	0'-0"	0'-0"		

Column Type	Max Roof Span S (ft)	Live Load Gravity (psf)	Wind Load (psf)	AVG Column Spacing W(ft)			
				5	6	7	8
2" x 4" LAP COLUMN	10	20	10	9'-0"	8'-11"	7'-11"	7'-7"
			20	7'-0"	6'-4"	5'-7"	5'-4"
			30	5'-8"	5'-2"	4'-7"	4'-4"
			40	4'-11"	4'-5"	0'-0"	0'-0"
		30	10	8'-7"	7'-6"	6'-5"	5'-10"
			20	6'-1"	5'-4"	4'-6"	4'-1"
			30	5'-0"	4'-4"	0'-0"	0'-0"
			40	4'-3"	0'-0"	0'-0"	0'-0"
		40	10	7'-4"	6'-2"	4'-10"	4'-1"
			20	5'-2"	4'-4"	0'-0"	0'-0"
			30	4'-3"	0'-0"	0'-0"	0'-0"
			40	0'-0"	0'-0"	0'-0"	0'-0"
	50	10	6'-2"	4'-9"	0'-0"	0'-0"	
		20	4'-4"	0'-0"	0'-0"	0'-0"	
		30	0'-0"	0'-0"	0'-0"	0'-0"	
		40	0'-0"	0'-0"	0'-0"	0'-0"	
	20	20	10	7'-9"	6'-7"	5'-4"	4'-8"
			20	5'-6"	4'-8"	0'-0"	0'-0"
			30	4'-6"	0'-0"	0'-0"	0'-0"
			40	0'-0"	0'-0"	0'-0"	0'-0"
		30	10	5'-7"	4'-0"	0'-0"	0'-0"
			20	0'-0"	0'-0"	0'-0"	0'-0"
			30	0'-0"	0'-0"	0'-0"	0'-0"
			40	0'-0"	0'-0"	0'-0"	0'-0"
40		10	0'-0"	0'-0"	0'-0"	0'-0"	
		20	0'-0"	0'-0"	0'-0"	0'-0"	
		30	0'-0"	0'-0"	0'-0"	0'-0"	
		40	0'-0"	0'-0"	0'-0"	0'-0"	
50	10	0'-0"	0'-0"	0'-0"	0'-0"		
	20	0'-0"	0'-0"	0'-0"	0'-0"		
	30	0'-0"	0'-0"	0'-0"	0'-0"		
	40	0'-0"	0'-0"	0'-0"	0'-0"		

Column Type	Max Roof Span S (ft)	Live Load Gravity (psf)	Wind Load (psf)	AVG Column Spacing W(ft)			
				5	6	7	8
2" x 5" LAP COLUMN	10	20	10	9'-0"	9'-0"	9'-0"	9'-0"
			20	8'-5"	7'-9"	7'-0"	6'-8"
			30	6'-11"	6'-4"	5'-8"	5'-6"
			40	6'-0"	5'-6"	4'-11"	4'-9"
		30	10	9'-0"	9'-0"	8'-2"	7'-7"
			20	7'-7"	6'-9"	5'-9"	5'-5"
			30	6'-2"	5'-6"	4'-9"	4'-5"
			40	5'-4"	4'-9"	4'-1"	0'-0"
		40	10	9'-0"	8'-0"	6'-7"	5'-9"
			20	6'-8"	5'-8"	4'-8"	4'-1"
			30	5'-5"	4'-8"	0'-0"	0'-0"
			40	4'-8"	4'-0"	0'-0"	0'-0"
	50	10	8'-1"	6'-7"	5'-0"	0'-0"	
		20	5'-9"	4'-8"	0'-0"	0'-0"	
		30	4'-8"	0'-0"	0'-0"	0'-0"	
		40	4'-1"	0'-0"	0'-0"	0'-0"	
	20	20	10	9'-0"	8'-6"	7'-1"	6'-4"
			20	7'-0"	6'-0"	5'-0"	4'-6"
			30	5'-8"	5'-0"	4'-1"	0'-0"
			40	4'-11"	4'-3"	0'-0"	0'-0"
		30	10	7'-6"	5'-10"	4'-2"	0'-0"
			20	5'-3"	4'-1"	0'-0"	0'-0"
			30	4'-4"	0'-0"	0'-0"	0'-0"
			40	0'-0"	0'-0"	0'-0"	0'-0"
40		10	5'-2"	0'-0"	0'-0"	0'-0"	
		20	0'-0"	0'-0"	0'-0"	0'-0"	
		30	0'-0"	0'-0"	0'-0"	0'-0"	
		40	0'-0"	0'-0"	0'-0"	0'-0"	
50	10	0'-0"	0'-0"	0'-0"	0'-0"		
	20	0'-0"	0'-0"	0'-0"	0'-0"		
	30	0'-0"	0'-0"	0'-0"	0'-0"		
	40	0'-0"	0'-0"	0'-0"	0'-0"		

04/09/2020

NOTICE: IF THIS SHEET DOES NOT CONTAIN AN ORIGINAL SIGNATURE & ENGINEER SEAL, IF THERE IS A DIGITAL SIGNATURE ON SHEET 1, THIS SHEET IS PART OF A DIGITALLY SIGNED FILE, SHALL REMAIN IN DIGITAL FORMAT, & PRINTED COPIES OF THIS DOCUMENT ARE NOT CONSIDERED SIGNED AND SEALED. IF THERE IS NO DIGITAL SIGNATURE ON SHEET 1 OR THIS SHEET DOES NOT CONTAIN AN ENGINEER'S ORIGINAL SIGNATURE & SEAL, THIS SHEET IS A COPY/DRAFT.

ENGINEERING EXPRESS
CORPORATE OFFICE:
160 SW 12th AVE, SUITE 106
DEERFIELD BEACH, FL 33442
(954) 354-0660 | (866) 396-9999
TEAM@ENGINEERINGEXPRESS.COM
ENGINEERINGEXPRESS.COM

ELITE ALUMINUM INC
1545 WEST 35 PLACE
HIALEAH, FL
(305) 823-2625
ELITE ROOF SCREEN
MASTER PLAN SHEET

DRWN	CHKD	DATE
JAC	FLB	01/09/20
ZAR	FLB	03/22/19

REMARKS
INIT ISSUE
2019 UPDATE

THIS DOCUMENT IS THE PROPERTY OF ENGINEERING EXPRESS, AND SHALL NOT BE REPRODUCED IN WHOLE OR PART WITHOUT WRITTEN CONSENT OF ENGINEERING EXPRESS. ALTERATIONS, ADDITIONS, OR OTHER MARKINGS TO THIS DOCUMENT ARE NOT PERMITTED AND INVALIDATE OUR CERTIFICATION.

COPYRIGHT ENGINEERING EXPRESS®
20-24918
SCALE: NTS UNLESS NOTED

C:\Users\frankb\Engineering\Express\Production...Documents\Projects\20-24918 Elite-Roof-Screen-Parts for Elite Monoslope Roof (17-4128)\WP\20-24918a Elite-Roof-Screen-Parts.dwg 04/09/2020 3:55pm frankb

COLUMN ALLOWABLE HEIGHT TABLES CONTINUED

Column Type	Max Roof Span S (ft)	Live Load Gravity (psf)	Wind Load (psf)	AVG Column Spacing W(ft)			
				5	6	7	8
2" x 6" L A P C O L U M N	10	20	10	9'-0"	9'-0"	9'-0"	9'-0"
			20	9'-0"	8'-10"	7'-10"	7'-7"
			30	8'-0"	7'-3"	6'-5"	6'-2"
			40	6'-10"	6'-3"	5'-7"	5'-4"
		30	10	9'-0"	9'-0"	9'-0"	8'-5"
			20	8'-7"	7'-7"	6'-5"	6'-0"
			30	7'-0"	6'-2"	5'-3"	4'-10"
			40	6'-1"	5'-4"	4'-7"	4'-2"
		40	10	9'-0"	8'-10"	7'-1"	6'-0"
			20	7'-5"	6'-3"	5'-0"	4'-3"
			30	6'-1"	5'-1"	4'-1"	0'-0"
			40	5'-3"	4'-5"	0'-0"	0'-0"
	50	10	8'-11"	7'-0"	5'-1"	0'-0"	
		20	6'-3"	5'-0"	0'-0"	0'-0"	
		30	5'-2"	4'-0"	0'-0"	0'-0"	
		40	4'-5"	0'-0"	0'-0"	0'-0"	
	20	20	10	9'-0"	9'-0"	7'-9"	6'-10"
			20	7'-10"	6'-8"	5'-6"	4'-10"
			30	6'-4"	5'-5"	4'-6"	0'-0"
			40	5'-6"	4'-9"	0'-0"	0'-0"
		30	10	8'-1"	6'-1"	4'-1"	0'-0"
			20	5'-9"	4'-3"	0'-0"	0'-0"
			30	4'-8"	0'-0"	0'-0"	0'-0"
			40	4'-1"	0'-0"	0'-0"	0'-0"
40		10	5'-2"	0'-0"	0'-0"	0'-0"	
		20	0'-0"	0'-0"	0'-0"	0'-0"	
		30	0'-0"	0'-0"	0'-0"	0'-0"	
		40	0'-0"	0'-0"	0'-0"	0'-0"	
50	10	0'-0"	0'-0"	0'-0"	0'-0"		
	20	0'-0"	0'-0"	0'-0"	0'-0"		
	30	0'-0"	0'-0"	0'-0"	0'-0"		
	40	0'-0"	0'-0"	0'-0"	0'-0"		

Column Type	Max Roof Span S (ft)	Live Load Gravity (psf)	Wind Load (psf)	AVG Column Spacing W(ft)			
				5	6	7	8
2" x 7" L A P C O L U M N	10	20	10	9'-0"	9'-0"	8'-10"	8'-0"
			20	8'-7"	7'-5"	6'-3"	5'-8"
			30	7'-0"	6'-1"	5'-1"	4'-7"
			40	6'-1"	5'-3"	4'-5"	0'-0"
		30	10	9'-0"	9'-0"	7'-4"	5'-4"
			20	6'-7"	5'-2"	0'-0"	0'-0"
			30	5'-5"	4'-3"	0'-0"	0'-0"
			40	4'-8"	0'-0"	0'-0"	0'-0"
		40	10	6'-6"	4'-1"	0'-0"	0'-0"
			20	4'-7"	0'-0"	0'-0"	0'-0"
			30	0'-0"	0'-0"	0'-0"	0'-0"
			40	0'-0"	0'-0"	0'-0"	0'-0"
	50	10	0'-0"	0'-0"	0'-0"	0'-0"	
		20	0'-0"	0'-0"	0'-0"	0'-0"	
		30	0'-0"	0'-0"	0'-0"	0'-0"	
		40	0'-0"	0'-0"	0'-0"	0'-0"	
	20	20	10	7'-6"	5'-2"	0'-0"	0'-0"
			20	5'-3"	0'-0"	0'-0"	0'-0"
			30	4'-4"	0'-0"	0'-0"	0'-0"
			40	0'-0"	0'-0"	0'-0"	0'-0"
		30	10	0'-0"	0'-0"	0'-0"	0'-0"
			20	0'-0"	0'-0"	0'-0"	0'-0"
			30	0'-0"	0'-0"	0'-0"	0'-0"
			40	0'-0"	0'-0"	0'-0"	0'-0"
40		10	0'-0"	0'-0"	0'-0"	0'-0"	
		20	0'-0"	0'-0"	0'-0"	0'-0"	
		30	0'-0"	0'-0"	0'-0"	0'-0"	
		40	0'-0"	0'-0"	0'-0"	0'-0"	
50	10	0'-0"	0'-0"	0'-0"	0'-0"		
	20	0'-0"	0'-0"	0'-0"	0'-0"		
	30	0'-0"	0'-0"	0'-0"	0'-0"		
	40	0'-0"	0'-0"	0'-0"	0'-0"		

Column Type	Max Roof Span S (ft)	Live Load Gravity (psf)	Wind Load (psf)	AVG Column Spacing W(ft)			
				5	6	7	8
2" x 8" L A P C O L U M N	10	20	10	9'-0"	9'-0"	9'-0"	9'-0"
			20	9'-0"	9'-0"	9'-0"	9'-0"
			30	9'-0"	9'-0"	9'-0"	9'-0"
			40	9'-0"	9'-0"	9'-0"	8'-10"
		30	10	9'-0"	9'-0"	9'-0"	9'-0"
			20	9'-0"	9'-0"	9'-0"	9'-0"
			30	9'-0"	9'-0"	9'-0"	9'-0"
			40	9'-0"	9'-0"	8'-2"	8'-0"
		40	10	9'-0"	9'-0"	9'-0"	9'-0"
			20	9'-0"	9'-0"	9'-0"	9'-0"
			30	9'-0"	9'-0"	8'-6"	8'-1"
			40	9'-0"	8'-4"	7'-4"	7'-0"
	50	10	9'-0"	9'-0"	9'-0"	9'-0"	
		20	9'-0"	9'-0"	9'-0"	8'-7"	
		30	9'-0"	8'-10"	7'-7"	7'-0"	
		40	8'-7"	7'-7"	6'-7"	6'-1"	
	20	20	10	9'-0"	9'-0"	9'-0"	9'-0"
			20	9'-0"	9'-0"	9'-0"	9'-0"
			30	9'-0"	9'-0"	8'-10"	8'-5"
			40	9'-0"	8'-7"	7'-7"	7'-4"
		30	10	9'-0"	9'-0"	9'-0"	9'-0"
			20	9'-0"	9'-0"	9'-0"	9'-0"
			30	9'-0"	8'-4"	7'-1"	6'-6"
			40	8'-3"	7'-3"	6'-2"	5'-7"
40		10	9'-0"	9'-0"	9'-0"	7'-9"	
		20	9'-0"	8'-4"	6'-7"	5'-6"	
		30	8'-2"	6'-10"	5'-5"	4'-6"	
		40	7'-1"	5'-11"	4'-8"	0'-0"	
50	10	9'-0"	9'-0"	6'-5"	4'-4"		
	20	8'-4"	6'-5"	4'-6"	0'-0"		
	30	6'-10"	5'-3"	0'-0"	0'-0"		
	40	6'-0"	4'-7"	0'-0"	0'-0"		

Column Type	Max Roof Span S (ft)	Live Load Gravity (psf)	Wind Load (psf)	AVG Column Spacing W(ft)			
				5	6	7	8
2" x 9" L A P C O L U M N	10	20	10	9'-0"	9'-0"	9'-0"	9'-0"
			20	9'-0"	9'-0"	9'-0"	9'-0"
			30	9'-0"	9'-0"	9'-0"	9'-0"
			40	9'-0"	9'-0"	9'-0"	9'-0"
		30	10	9'-0"	9'-0"	9'-0"	9'-0"
			20	9'-0"	9'-0"	9'-0"	9'-0"
			30	9'-0"	9'-0"	9'-0"	9'-0"
			40	9'-0"	9'-0"	8'-6"	8'-3"
		40	10	9'-0"	9'-0"	9'-0"	9'-0"
			20	9'-0"	9'-0"	9'-0"	9'-0"
			30	9'-0"	9'-0"	8'-10"	8'-5"
			40	9'-0"	8'-9"	7'-8"	7'-3"
	50	10	9'-0"	9'-0"	9'-0"	9'-0"	
		20	9'-0"	9'-0"	9'-0"	8'-10"	
		30	9'-0"	9'-0"	7'-10"	7'-2"	
		40	9'-0"	8'-0"	6'-9"	6'-3"	
	20	20	10	9'-0"	9'-0"	9'-0"	9'-0"
			20	9'-0"	9'-0"	9'-0"	9'-0"
			30	9'-0"	9'-0"	9'-0"	8'-9"
			40	9'-0"	9'-0"	8'-0"	7'-7"
		30	10	9'-0"	9'-0"	9'-0"	9'-0"
			20	9'-0"	9'-0"	9'-0"	9'-0"
			30	9'-0"	8'-8"	7'-4"	6'-7"
			40	8'-7"	7'-6"	6'-4"	5'-9"
40		10	9'-0"	9'-0"	9'-0"	7'-9"	
		20	9'-0"	8'-7"	6'-8"	5'-6"	
		30	8'-6"	7'-0"	5'-6"	4'-6"	
		40	7'-4"	6'-0"	4'-9"	0'-0"	
50	10	9'-0"	9'-0"	6'-3"	4'-0"		
	20	8'-7"	6'-6"	4'-5"	0'-0"		
	30	7'-0"	5'-3"	0'-0"	0'-0"		
	40	6'-1"	4'-7"	0'-0"	0'-0"		

Column Type	Max Roof Span S (ft)	Live Load Gravity (psf)	Wind Load (psf)	AVG Column Spacing W(ft)			
				5	6	7	8
2" x 10" L A P C O L U M N	10	20	10	9'-0"	9'-0"	9'-0"	9'-0"
			20	9'-0"	9'-0"	9'-0"	9'-0"
			30	9'-0"	9'-0"	9'-0"	9'-0"
			40	9'-0"	9'-0"	9'-0"	9'-0"
		30	10	9'-0"	9'-0"	9'-0"	9'-0"
			20	9'-0"	9'-0"	9'-0"	9'-0"
			30	9'-0"	9'-0"	9'-0"	9'-0"
			40	9'-0"	9'-0"	9'-0"	9'-0"
		40	10	9'-0"	9'-0"	9'-0"	9'-0"
			20	9'-0"	9'-0"	9'-0"	9'-0"
			30	9'-0"	9'-0"	9'-0"	9'-0"
			40	9'-0"	9'-0"	9'-0"	9'-0"
	20	20	10	9'-0"	9'-0"	9'-0"	9'-0"
			20	9'-0"	9'-0"	9'-0"	9'-0"
			30	9'-0"	9'-0"	9'-0"	9'-0"
			40	9'-0"	9'-0"	9'-0"	9'-0"
		30	10	9'-0"	9'-0"	9'-0"	9'-0"
			20	9'-0"	9'-0"	9'-0"	9'-0"
			30	9'-0"	9'-0"	9'-0"	9'-0"
			40	9'-0"	9'-0"	9'-0"	9'-0"
		40	10	9'-0"	9'-0"	9'-0"	9'-0"
			20	9'-0"	9'-0"	9'-0"	9'-0"
			30	9'-0"	9'-0"	9'-0"	9'-0"
			40	9'-0"	9'-0"	9'-0"	9'-0"
50	10	9'-0"	9'-0"	9'-0"	9'-0"		
	20	9'-0"	9'-0"	9'-0"	9'-0"		
	30	9'-0"	9'-0"	9'-0"	9'-0"		
	40	9'-0"	9'-0"	9'-0"	8'-10"		

CHAIR RAIL SPAN TABLE

Beam Type	Load (psf)	Max Chair Rail Span
2" x 2" B O X	10	8'-0"
	20	7'-1"
	30	5'-9"
	40	5'-0"
Beam Type	Load (psf)	Max Chair Rail Span
2" x 3" B O X	10	8'-0"
	20	8'-0"
	30	7'-8"
	40	6'-8"

CHAIR RAIL TABLE NOTES:

- 1) TABLE SOLVES FOR THE MAXIMUM SPAN OF THE CHAIRRAIL ACCORDING TO THE MAX SPACING ABOVE AND BELOW THE CHAIR RAIL.
- 2) COLUMNS TO BE LATERALLY SUPPORTED BY CHAIR RAILS EVERY 8' MAX.
- 3) GOVERNING RESULT IS THE MINIMUM OF STRESS OR L/80 DEFLECTION

04/09/2020
SEAL REQUIRED

INVALID WITHOUT SEAL
NOTICE: IF THIS SHEET DOES NOT CONTAIN AN ORIGINAL SIGNATURE & ENGINEER SEAL, IF THERE IS A DIGITAL SIGNATURE ON SHEET 1, THIS SHEET IS PART OF A DIGITALLY SIGNED FILE, SHALL REMAIN IN DIGITAL FORMAT, & PRINTED COPIES OF THIS DOCUMENT ARE NOT CONSIDERED SIGNED AND SEALED. IF THERE IS NO DIGITAL SIGNATURE ON SHEET 1 OR THIS SHEET DOES NOT CONTAIN AN ENGINEER'S ORIGINAL SIGNATURE & SEAL, THIS SHEET IS A COPY/DRAFT.

ENGINEERING EXPRESS
CORPORATE OFFICE:
160 SW 12th AVE, SUITE 106
DEERFIELD BEACH, FL 33442
(954) 354-0660 | (866) 396-9999
TEAM@ENGINEERINGEXPRESS.COM
ENGINEERINGEXPRESS.COM

ELITE ALUMINIUM INC
1545 WEST 35 PLACE
HIALEAH, FL
(305) 823-2625
ELITE ROOF SCREEN
MASTER PLAN SHEET

REMARKS	DRWN	CHKD	DATE
INIT ISSUE	JAC	FLB	01/09/20
2019 UPDATE	ZAR	FLB	03/22/19

THIS DOCUMENT IS THE PROPERTY OF ENGINEERING EXPRESS, AND SHALL NOT BE REPRODUCED IN WHOLE OR PART WITHOUT WRITTEN CONSENT OF ENGINEERING EXPRESS. ALTERATIONS, ADDITIONS, OR OTHER MARKINGS TO THIS DOCUMENT ARE NOT PERMITTED AND INVALIDATE OUR CERTIFICATION.

COPYRIGHT ENGINEERING EXPRESS®
20-24918

SCALE: NTS UNLESS NOTED

C:\Users\frankb\Engineering\Express\Production - Documents\Projects\20-24918 Generic Screen Parts for Elite Monoscope Roof (17-4128)\WP1\20-24918a Elite-Roof-Generics-Screen.dwg
04/09/2020 - 3:59pm frankb

END WALL CARRY BEAM CLEAR SPAN TABLES:

Beam Type	Roof Load (psf)	Max Roof Span S (ft)	Max Beam Span			
			7	8	9	10
2 x 3 SNAP	20	10	6'-8"	6'-4"	6'-0"	5'-9"
		20	6'-8"	6'-4"	6'-0"	5'-9"
	30	10	5'-5"	5'-2"	5'-0"	4'-9"
		20	5'-5"	5'-2"	5'-0"	4'-9"
	40	10	4'-9"	4'-6"	4'-3"	4'-1"
		20	4'-9"	4'-6"	4'-3"	4'-1"
50	10	4'-3"	4'-0"	3'-10"	3'-8"	
	20	4'-3"	4'-0"	3'-10"	3'-8"	

Beam Type	Roof Load (psf)	Max Roof Span S (ft)	Max Beam Span			
			7	8	9	10
2 x 3 BOX BEAM	20	10	9'-0"	9'-0"	8'-6"	8'-2"
		20	9'-0"	9'-0"	8'-6"	8'-2"
	30	10	7'-8"	7'-4"	7'-0"	6'-8"
		20	7'-8"	7'-4"	7'-0"	6'-8"
	40	10	6'-8"	6'-4"	6'-0"	5'-9"
		20	6'-8"	6'-4"	6'-0"	5'-9"
50	10	6'-0"	5'-8"	5'-5"	5'-2"	
	20	6'-0"	5'-8"	5'-5"	5'-2"	

Beam Type	Roof Load (psf)	Max Roof Span S (ft)	Max Beam Span			
			7	8	9	10
2 x 4 LAP BEAM	20	10	9'-0"	9'-0"	8'-7"	8'-2"
		20	9'-0"	9'-0"	8'-7"	8'-2"
	30	10	7'-9"	7'-4"	7'-0"	6'-8"
		20	7'-9"	7'-4"	7'-0"	6'-8"
	40	10	6'-8"	6'-4"	6'-1"	5'-9"
		20	6'-8"	6'-4"	6'-1"	5'-9"
50	10	6'-0"	5'-8"	5'-5"	5'-2"	
	20	6'-0"	5'-8"	5'-5"	5'-2"	

Beam Type	Roof Load (psf)	Max Roof Span S (ft)	Max Beam Span			
			7	8	9	10
2 x 3 BOX BEAM	20	10	9'-0"	9'-0"	9'-0"	9'-0"
		20	9'-0"	9'-0"	9'-0"	9'-0"
	30	10	9'-0"	9'-0"	9'-0"	9'-0"
		20	9'-0"	9'-0"	9'-0"	9'-0"
	40	10	9'-0"	8'-10"	8'-5"	8'-1"
		20	9'-0"	8'-10"	8'-5"	8'-1"
50	10	8'-4"	7'-11"	7'-6"	7'-3"	
	20	8'-4"	7'-11"	7'-6"	7'-3"	

Beam Type	Roof Load (psf)	Max Roof Span S (ft)	Max Beam Span			
			7	8	9	10
2 x 5 LAP COLUMN	20	10	9'-0"	9'-0"	9'-0"	9'-0"
		20	9'-0"	9'-0"	9'-0"	9'-0"
	30	10	9'-0"	8'-6"	8'-2"	7'-9"
		20	9'-0"	8'-6"	8'-2"	7'-9"
	40	10	7'-9"	7'-5"	7'-0"	6'-9"
		20	7'-9"	7'-5"	7'-0"	6'-9"
50	10	7'-0"	6'-7"	6'-4"	6'-0"	
	20	7'-0"	6'-7"	6'-4"	6'-0"	

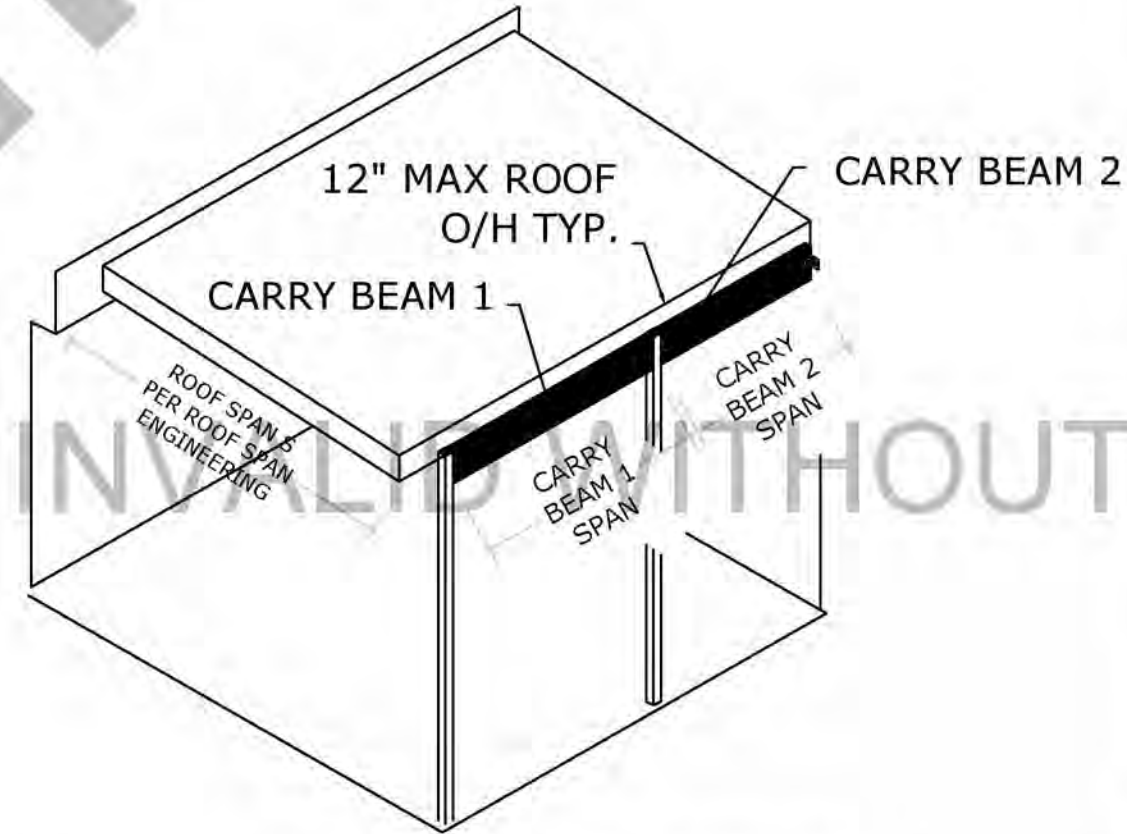
Beam Type	Roof Load (psf)	Max Roof Span S (ft)	Max Beam Span			
			7	8	9	10
2 x 6 LAP BEAM	20	10	9'-0"	9'-0"	9'-0"	9'-0"
		20	9'-0"	9'-0"	9'-0"	9'-0"
	30	10	9'-0"	9'-0"	8'-10"	8'-5"
		20	9'-0"	9'-0"	8'-10"	8'-5"
	40	10	8'-5"	8'-0"	7'-8"	7'-4"
		20	8'-5"	8'-0"	7'-8"	7'-4"
50	10	7'-6"	7'-2"	6'-10"	6'-6"	
	20	7'-6"	7'-2"	6'-10"	6'-6"	

Beam Type	Roof Load (psf)	Max Roof Span S (ft)	Max Beam Span			
			7	8	9	10
2 x 7 LAP BEAM	20	10	9'-0"	9'-0"	9'-0"	9'-0"
		20	9'-0"	9'-0"	9'-0"	9'-0"
	30	10	9'-0"	9'-0"	9'-0"	9'-0"
		20	9'-0"	9'-0"	9'-0"	9'-0"
	40	10	9'-0"	8'-10"	8'-5"	8'-1"
		20	9'-0"	8'-10"	8'-5"	8'-1"
50	10	8'-4"	7'-11"	7'-6"	7'-3"	
	20	8'-4"	7'-11"	7'-6"	7'-3"	

Beam Type	Roof Load (psf)	Max Roof Span S (ft)	Max Beam Span			
			7	8	9	10
2 x 8 LAP BEAM	20	10	9'-0"	9'-0"	9'-0"	9'-0"
		20	9'-0"	9'-0"	9'-0"	9'-0"
	30	10	9'-0"	9'-0"	9'-0"	9'-0"
		20	9'-0"	9'-0"	9'-0"	9'-0"
	40	10	9'-0"	9'-0"	9'-0"	9'-0"
		20	9'-0"	9'-0"	9'-0"	9'-0"
50	10	9'-0"	9'-0"	9'-0"	9'-0"	
	20	9'-0"	9'-0"	9'-0"	9'-0"	

Beam Type	Roof Load (psf)	Max Roof Span S (ft)	Max Beam Span			
			7	8	9	10
2 x 9 LAP BEAM	20	10	9'-0"	9'-0"	9'-0"	9'-0"
		20	9'-0"	9'-0"	9'-0"	9'-0"
	30	10	9'-0"	9'-0"	9'-0"	9'-0"
		20	9'-0"	9'-0"	9'-0"	9'-0"
	40	10	9'-0"	9'-0"	9'-0"	9'-0"
		20	9'-0"	9'-0"	9'-0"	9'-0"
50	10	9'-0"	9'-0"	9'-0"	9'-0"	
	20	9'-0"	9'-0"	9'-0"	9'-0"	

Beam Type	Roof Load (psf)	Max Roof Span S (ft)	Max Beam Span			
			7	8	9	10
2 x 10 LAP BEAM	20	10	9'-0"	9'-0"	9'-0"	9'-0"
		20	9'-0"	9'-0"	9'-0"	9'-0"
	30	10	9'-0"	9'-0"	9'-0"	9'-0"
		20	9'-0"	9'-0"	9'-0"	9'-0"
	40	10	9'-0"	9'-0"	9'-0"	9'-0"
		20	9'-0"	9'-0"	9'-0"	9'-0"
50	10	9'-0"	9'-0"	9'-0"	9'-0"	
	20	9'-0"	9'-0"	9'-0"	9'-0"	



CARRY BEAM SPAN DEFINED - EACH CARRY BEAM SHALL BE DESIGNED SEPARATELY.

CARRY BEAM TABLE NOTES:

- 1) USE APPROPRIATE TABLE VALUES REQUIRED BY GOVERNING STATE & LOCAL BUILDING CODES.
- 2) VERIFY REQUIREMENTS WITH BUILDING DEPARTMENT.
- 3) DEFLECTION LIMIT = L/80 USED.
- 5) THE MINIMUM DEFLECTION OR STRESS GOVERNS.
- 6) 12" MAXIMUM ROOF OVERHANG FRONT & SIDES MAX.

04/09/2020

VALID FOR 1 PERMIT ONLY IN FL
 NOTICE: IF THIS SHEET DOES NOT CONTAIN AN ORIGINAL SIGNATURE & ENGINEER SEAL:
 IF THERE IS A DIGITAL SIGNATURE ON SHEET 1, THIS SHEET IS PART OF A DIGITALLY SIGNED FILE, SHALL REMAIN IN DIGITAL FORMAT, & PRINTED COPIES OF THIS DOCUMENT ARE NOT CONSIDERED SIGNED AND SEALED. IF THERE IS NO DIGITAL SIGNATURE ON SHEET 1 OR THIS SHEET DOES NOT CONTAIN AN ENGINEER'S ORIGINAL SIGNATURE & SEAL, THIS SHEET IS A COPY/DRAFT.

ENGINEERING EXPRESS
 CORPORATE OFFICE:
 160 SW 12th AVE, SUITE 106
 DEERFIELD BEACH, FL 33442
 (954) 354-0660 | (866) 396-9999
 TEAM@ENGINEERINGEXPRESS.COM
 ENGINEERINGEXPRESS.COM

ELITE ALUMINIUM INC
 1545 WEST 35 PLACE
 HIALEAH, FL
 (305) 823-2625
 ELITE ROOF SCREEN
 MASTER PLAN SHEET

REMARKS	DRWN	CHKD	DATE
INIT ISSUE	JAC	FLB	01/09/20
2019 UPDATE	ZAR	FLB	03/22/19

THIS DOCUMENT IS THE PROPERTY OF ENGINEERING EXPRESS, AND SHALL NOT BE REPRODUCED IN WHOLE OR PART WITHOUT WRITTEN CONSENT OF ENGINEERING EXPRESS. ALTERATIONS, ADDITIONS, OR OTHER MARKINGS TO THIS DOCUMENT ARE NOT PERMITTED AND INVALIDATE OUR CERTIFICATION.

COPYRIGHT ENGINEERING EXPRESS®
 20-24918
 SCALE: NTS UNLESS NOTED
 4 OF 4