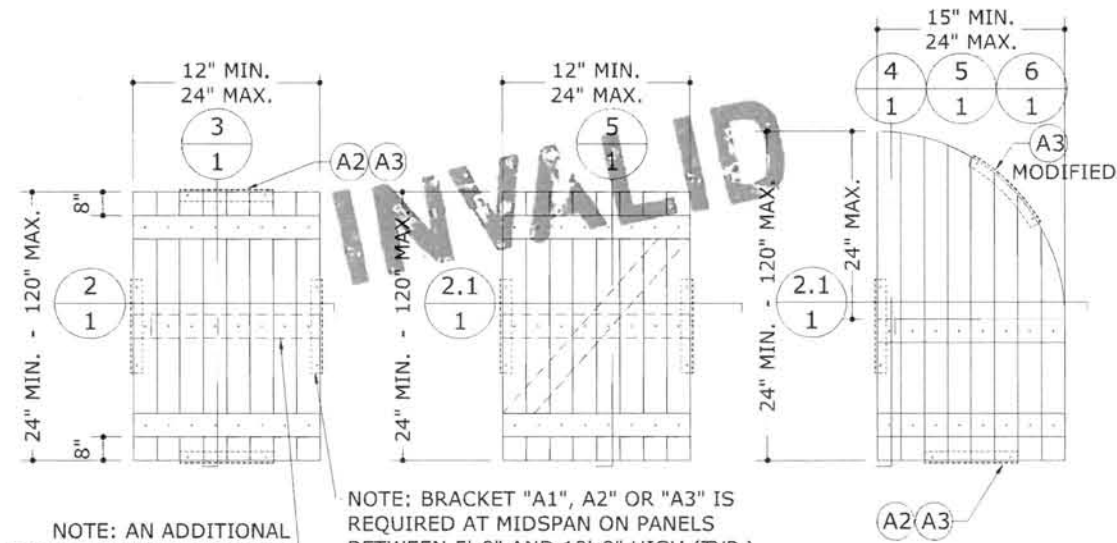


# BOARD & BATTEN DECORATIVE SHUTTER

(NON-STRUCTURAL, DECORATIVE ORNAMENT, TYPICAL INSTALLATION (HVHZ & NON-HVHZ))



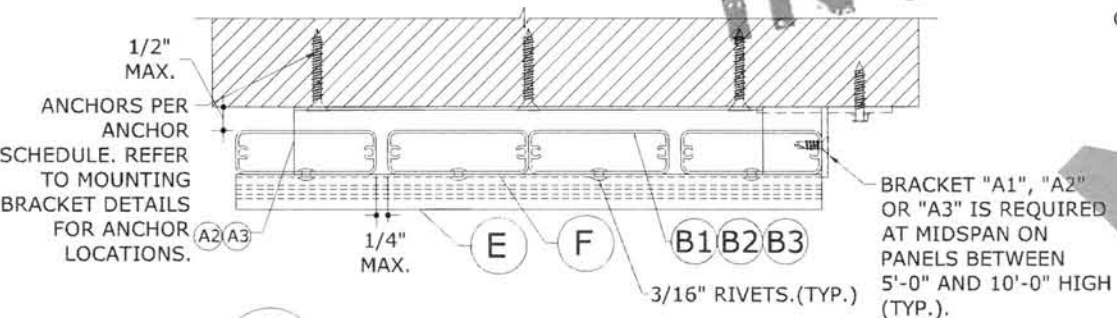
NOTE: BRACKET "A1", "A2" OR "A3" IS REQUIRED AT MIDSPAN ON PANELS BETWEEN 5'-0" AND 10'-0" HIGH (TYP.).

NOTE: AN ADDITIONAL BATTEN IS RECOMMENDED AT PANEL MIDSPAN WHEN PANEL HEIGHT IS BETWEEN 7'-0" AND 10'-0" (TYP. FOR ALL CONFIGURATIONS)

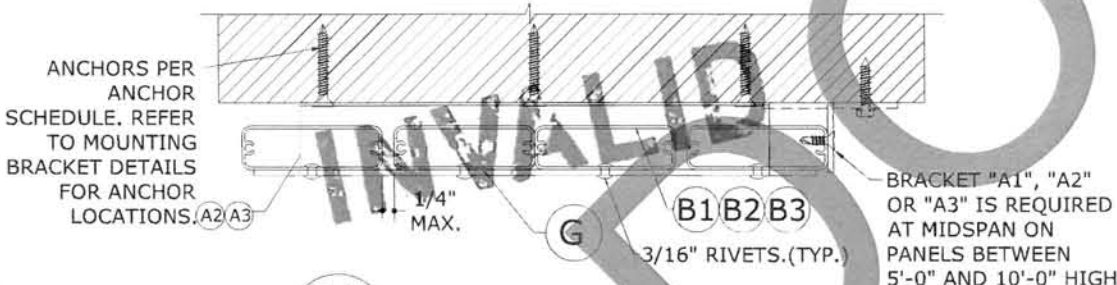
**1 TYP. ELEVATIONS**  
SCALE: 1/2" = 1'-0"

## GENERAL NOTES:

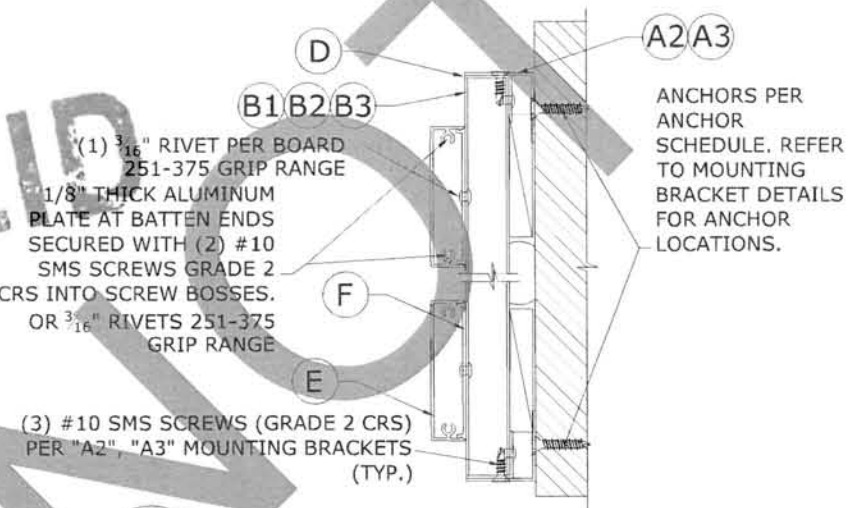
- DESIGN IS IN ACCORDANCE WITH THE REQUIREMENTS OF THE FLORIDA BUILDING CODE SIXTH EDITION (2017) FOR USE WITHIN & OUTSIDE THE HIGH VELOCITY HURRICANE ZONE (HVHZ). ITS USE IS LIMITED TO THE ALLOWABLE DESIGN PRESSURE NOTED IN THIS DOCUMENT AND IS NOT TO BE USED AS AN APPROVED IMPACT PROTECTION DEVICE.
- DESIGN PRESSURES FOR USE WITH THIS PLAN SHALL MEET OR EXCEED THE MAXIMUM DESIGN PRESSURE RATINGS HEREIN. THEY ARE TO BE OBTAINED BY OTHERS OR BY SEPARATE CERTIFICATION BY USE OF EITHER SITE SPECIFIC ENGINEERING OR SEALED WIND PRESSURE CHARTS APPLICABLE TO THE LOCATION AND BUILDING THE PRODUCT IS APPLIED TO.
- WARNING LABEL: THIS SHUTTER SYSTEM MUST BE PROVIDED WITH A WARNING LABEL, PERMANENTLY PLACED, STATING THE FOLLOWING: THIS PRODUCT IS NOT DESIGNED TO PROVIDE IMPACT RESISTANCE. IT IS NOT AN APPROVED IMPACT PROTECTION DEVICE.
- FASTENERS: ELCO ULTRACON 1/4" / ITW TAPCON TO BE ATTACHED TO CONCRETE OR WOOD. FOR EDGE DISTANCES AND EMBEDMENT LENGTHS REFER TO ANCHOR SCHEDULE.
- ALL ALUMINUM SHALL BE 6063-T6 ALLOY & TEMPER.
- FASTENERS SHALL BE WEATHER RESISTANT AND INSTALLED PER MANUFACTURERS SPECIFICATIONS.
- THIS DESIGN IS GENERIC AND DOES NOT PROVIDE INFORMATION FOR A SPECIFIC SITE. IF SITE CONDITIONS DEVIATE FROM THE CONDITIONS DETAILED HEREIN, A SITE SPECIFIC DESIGN PREPARED BY THIS PROFESSIONAL ENGINEER SHALL BE REQUIRED.
- THE CONTRACTOR OR PERMIT HOLDER IS RESPONSIBLE FOR THE SELECTION, PURCHASE AND INSTALLATION OF THIS SYSTEM, INCLUDING VERIFYING THE ADEQUACY OF THE EXISTING STRUCTURE WHERE THE SYSTEM IS TO BE ATTACHED TO INSURE PROPER ANCHORAGE.
- THIS DOCUMENT SHALL BEAR THE DATE AND ORIGINAL EMBOSSED SEAL OF THE PROFESSIONAL ENGINEER OF RECORD WHO PREPARED IT.
- ENGINEER SEAL AFFIXED HERETO VALIDATES THE STRUCTURAL DESIGN AS SHOWN ONLY. USE OF THIS SPECIFICATION BY CONTRACTOR, et. al. INDEMNIFIES & SAVES HARMLESS THIS ENGINEER FOR ALL COSTS & DAMAGES INCLUDING LEGAL FEES & APPELLATE FEES RESULTING FROM DEVIATIONS FROM THIS PLAN.
- ANY MODIFICATIONS OR ADDITIONS TO THIS DOCUMENT WILL INVALIDATE ENGINEER'S CERTIFICATION. EXCEPT AS PROVIDED HEREIN, NO ADDITIONAL CERTIFICATIONS OR AFFIRMATIONS ARE INTENDED.



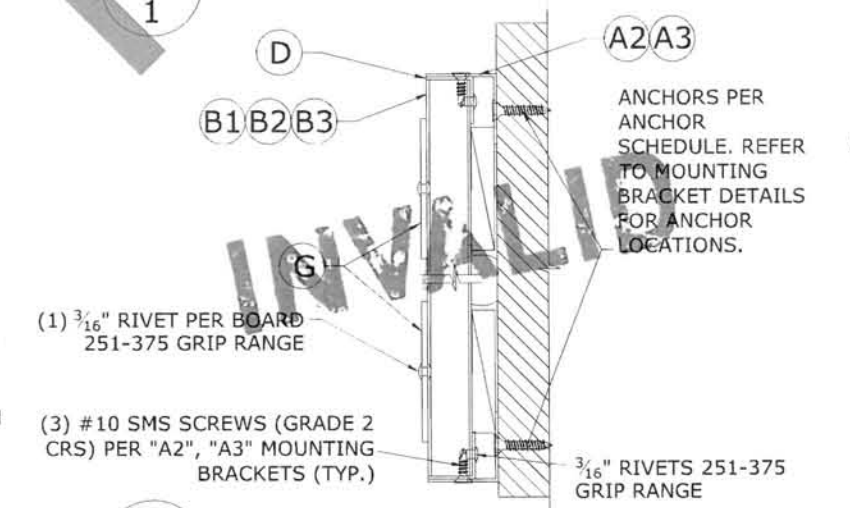
**2 HORIZ. SECTION 2" & 1 1/4" BLADE**  
SCALE: 6" = 1'-0"



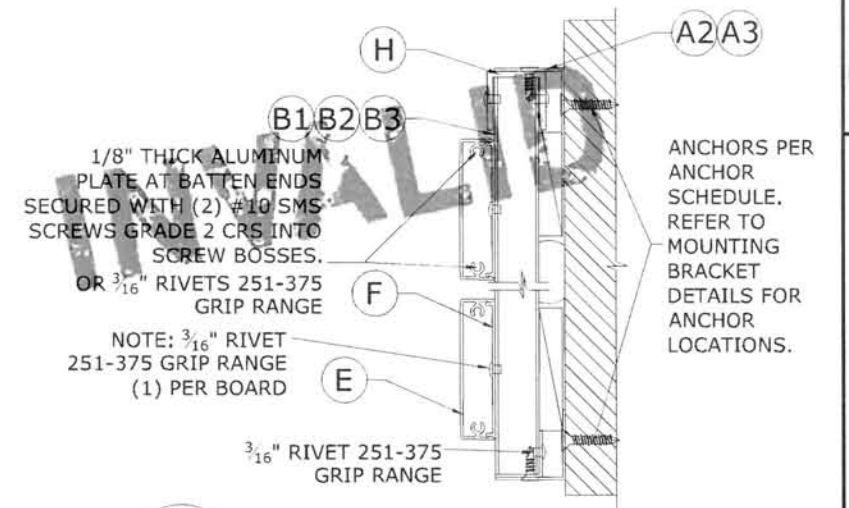
**2.1 HORIZ. SECTION "Z" BLADE**  
SCALE: 6" = 1'-0"



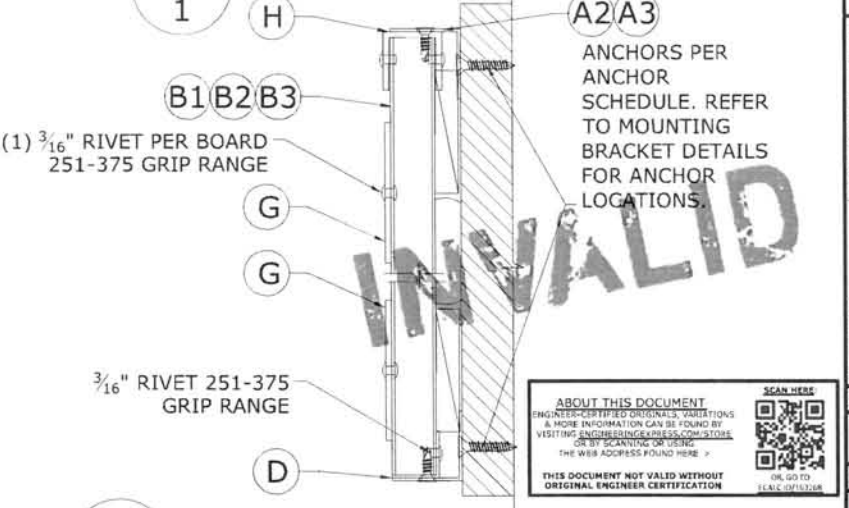
**3 BOARD & BATTEN VERTICAL SECTION**  
SCALE: 1/2" = 1'-0"



**5 BOARD & BATTEN VERTICAL SECTION**  
SCALE: 1/2" = 1'-0"



**4 BOARD & BATTEN VERTICAL SECTION**  
SCALE: 1/2" = 1'-0"



**6 BOARD & BATTEN VERTICAL SECTION**  
SCALE: 1/2" = 1'-0"

**SEAL REQUIRED**  
02/25/2019

VALID FOR 1 PERMIT ONLY U.N.O.  
NOTICE: IF THIS SHEET DOES NOT CONTAIN AN ORIGINAL SIGNATURE & ENGINEER SEAL:  
IF THERE IS A DIGITAL SIGNATURE ON SHEET 1, THIS SHEET IS PART OF A DIGITALLY SIGNED FILE, SHALL REMAIN IN DIGITAL FORMAT, & PRINTED COPIES OF THIS DOCUMENT ARE NOT CONSIDERED SIGNED AND SEALED. IF THERE IS NO DIGITAL SIGNATURE ON SHEET 1 OR THIS SHEET DOES NOT CONTAIN AN ENGINEER'S ORIGINAL SIGNATURE & SEAL, THIS SHEET IS A COPY/DRAFT.

**ENGINEERING EXPRESS**  
CORPORATE OFFICE:  
160 SW 12th AVE, SUITE 106  
DEERFIELD BEACH, FL 33442  
P: (954) 354-0660 F: (954) 354-0443  
E: HELLO@ENGINEERINGEXPRESS.COM

**EASTERN METAL SUPPLY**  
4268 WESTROADS DR  
WEST PALM BEACH, FL  
(800) 432-2204  
DECORATIVE BOARD & BATTEN COLONIAL SHUTTER  
MASTER PLAN SHEET

DRWN	CHKD	DATE
JMP	FLB	02/19/18

REMARKS  
INIT ISSUE

THIS DOCUMENT IS THE PROPERTY OF ENGINEERING EXPRESS, AND SHALL NOT BE REPRODUCED IN WHOLE OR PART WITHOUT WRITTEN CONSENT OF ENGINEERING EXPRESS. ALTERATIONS, ADDITIONS, OR OTHER MARKINGS TO THIS DOCUMENT ARE NOT PERMITTED AND INVALID DATE OUR CERTIFICATION.

COPYRIGHT ENGINEERING EXPRESS®  
**16-3268**  
SCALE: NTS UNLESS NOTED  
**1** OF **3**

V:\projects\16-3268 Decorative Board & Batten Colonial Shutter\WP\2017 FBC Update\16-3268e Board & Batten Shutter System.dwg  
termus  
02/25/2019 - 1:12pm